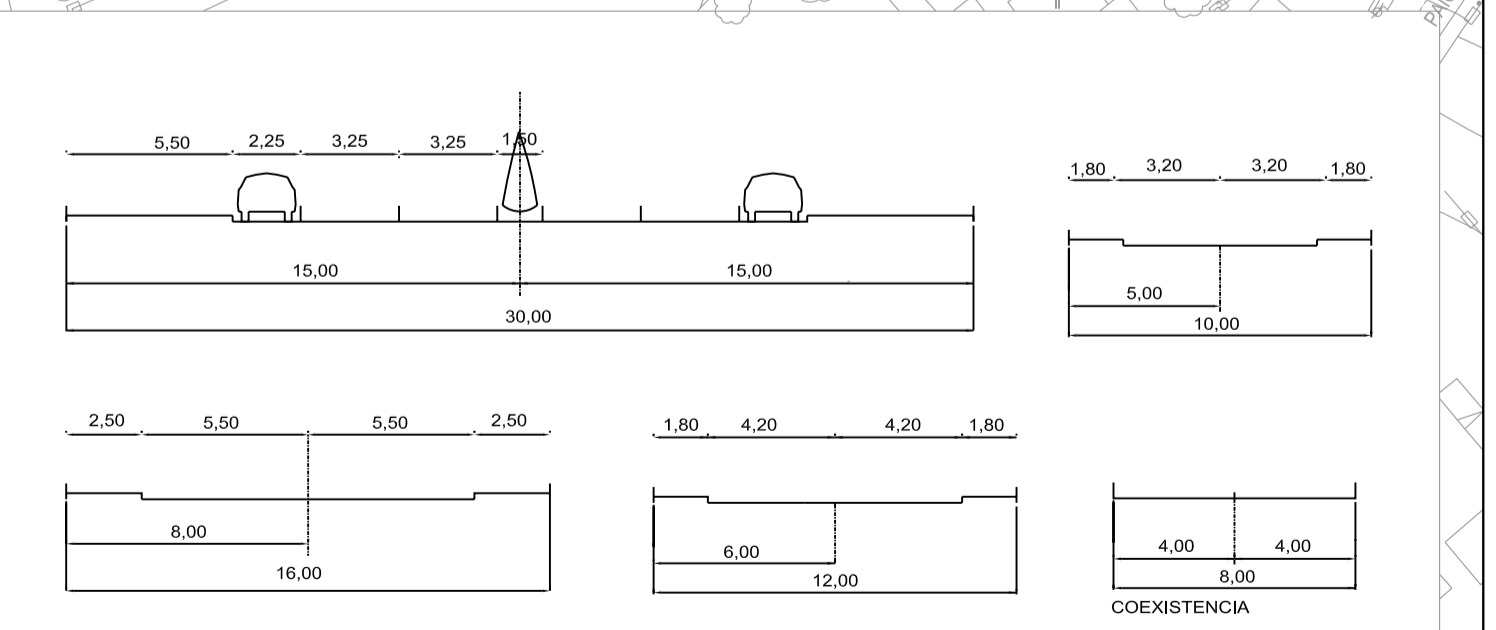


VIAL PRINCIPAL	15.50	18.00	17.00	17.00	18.00	15.00	14.00	13.50	13.40	13.00	12.00	11.50	0.00
DISTANCIAS PARCIALES	13.82	22.22	21.58	21.23	22.03	21.79	22.27	11.19	11.16	27.4	44.07	23.32	0.00
DISTANCIAS A ORIGEN	262.08	284.30	285.84	294.87	333.23	351.12	338.44	317.44	304.95	54.79	67.99	23.32	0.00
PENDIENTE	3.25%	3.25%	3.25%	0.00%	4.95%	4.95%	4.95%	4.95%	0.00%	2.22%	2.22%	2.10%	27.23



- DELIMITACION
- ALINEACION
- EMBUDO DE VIVIENDA
- MARGEN INTERNO
- MARGEN EXTERNO
- PASADIZO INTERIOR COQUINA
- CARRETERA